



THE
TISDALE
GROUP

Atmospheric Water Generation

Producing Water in Any Climate



ADVANCED **CRYO**



Kenton
Rodgers



NYX OPTICS



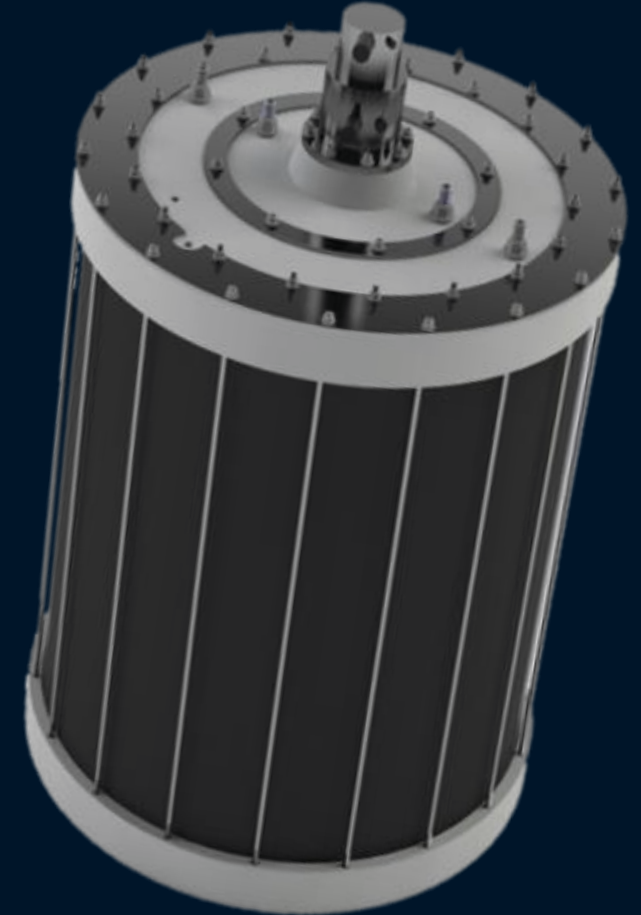
ENGLISH
TECHNOLOGIES



Tisdale Energy

CV-1 Technology

- TTG's **Cryogenic Vessel (CV-1)**, is refrigeration technology that is 60-80 percent more efficient than current systems and can be applied to numerous industries:
 - *Atmospheric Water Generation (AWG), Liquid Natural Gas (LNG), healthcare, data center cooling, refrigerated trucking, commercial cooling/HVAC, and more.*
- The CV-1 system is currently being used in TTG's patented DEK system and AWG, cooling the Arctic Shield and will soon be used to cool data centers and as an HVAC replacement.
- **Power consumption: 10L Unit**
 - 2.5kW
 - 110/120VAC
 - 20 amps
- **Green**
 - No CFCs
 - All materials are green or recycled
- **Solar Compatible**
 - 3-5kW system





Atmospheric Water Generator

Our **AWG** processes ~250 gallons of water a day by extracting the humidity from any climate and turning it into clean water with the help of our 200-Liter CV-1 unit. This system is customizable to scale and can grow to fit water and power needs.

- **Power**
 - 2.5kW
 - 110/120VAC
 - 20 amps
 - Solar power compatible
- **Water Output**
 - Produces water at any temperature/humidity
 - ~250 gallons/day
 - ~5000gallons/day when connected to multiple systems

Making Sustainable Obtainable

The Tisdale Group actively takes on the responsibility to upgrade our planet through multiple applications of sustainable innovation.

If you would like to get involved, don't hesitate to contact a TTG representative by visiting our website at www.tisdalegroupllc.com.

